

## Decomposition diagram of air pump

Solution of the under-inflation problem when using:

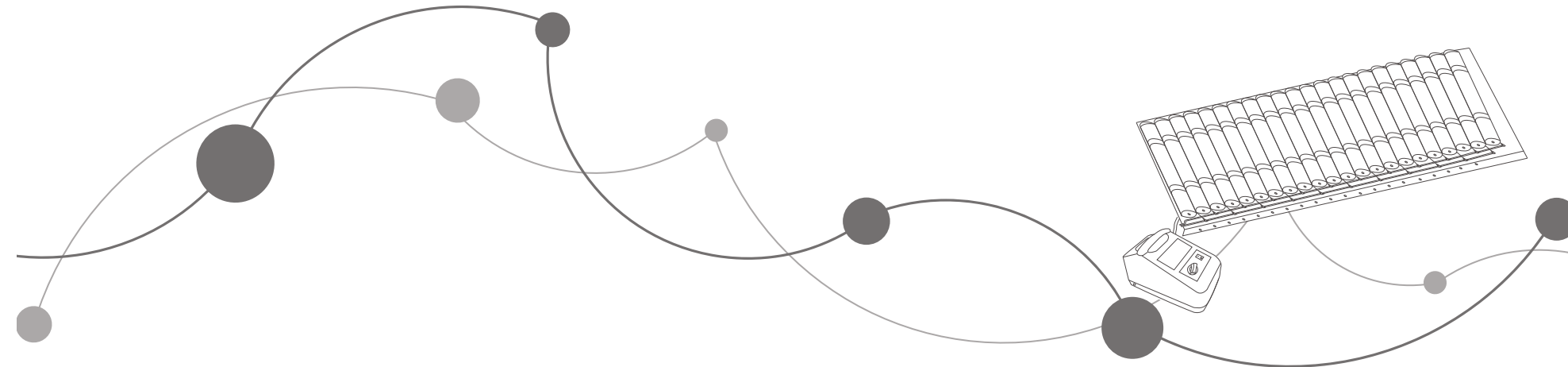
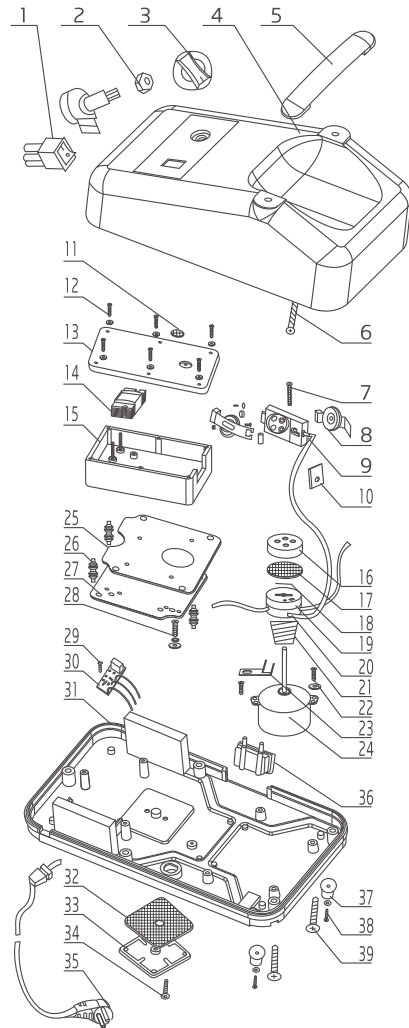
▶ Check the connection of the tube. Please reconnect it if loose.

▶ Unscrew the (33) to take out the filter(32) and clean it.

▶ Unscrew the five screw(39), and separate the shell. Take out the filter(17) and clean it.

▶ Press down the (19), draw out the (18). And add lubricant to the commutator(19).

If the above 4 solutions don't work, please contact with distributor or manufacturer.



# yuwell

## Anti-decubitus Mattress Strip style/ Air-jet style

## User's Manual

JIANGSU YUYUE MEDICAL EQUIPMENT & SUPPLY CO., LTD.  
Sales Center Address: Huanyuan East Road No.1, Xuzhuang Software Park,  
Nanjing, Jiangsu Province, P.R. China, 210000  
Manufacturing Address: YunYang Industrial Park, DanYang, Jiangsu Province,  
P.R. China, 212300  
<http://www.yuwell.com>

430410-0A

Please read the user's manual closely before using!

## Features

Application: This product is designed for preventing decubitus.  
Type:

1. Strip style 22 tubes
2. Air-jet style type B

Strip style anti-decubitus mattress is inflated in turns by air pump. It is effective to prevent the decubitus by changing the contact surface of body.

The air-jet style mattress takes away the water on the surface of patient's body by jetting air. So as to keep skin dry. The product also disperses the pressure of the patient to prevent decubitus. It's specially designed for reducing the patient's suffering and pain and reducing the work of the nursing staff. The decubitus can be effectively prevented with the appropriate use of the mattress.

NOTE:

1. Electromagnetic interference is not found between the product and other devices. If there is some kind of electromagnetic interference, it can be tested by opening and closing the machine. If confirmed, the electromagnetic interference can be eliminated by adjusting the distance between machines or changing the position of the product.
2. Please follow the local government's regulation to dispose the waste.

## Structure & Main performances

Basic structure: The product is consist of air mattress, pipe and air pump.  
(Figure 1)

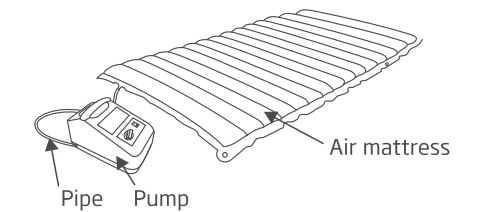


Figure 1

▶ Instruction of the operation panel of the air pump( Figure 2):

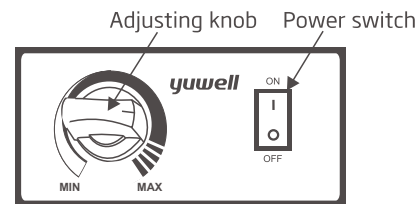


Figure 2

▶ Instruction of the bottom of the air pump.( Figure 3)

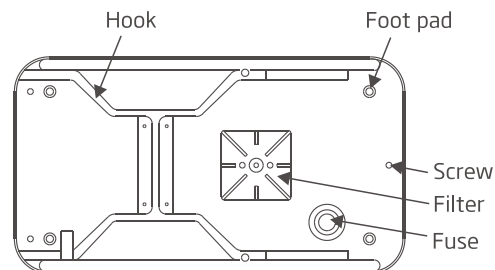


Figure 3

▶ Material of the air mattress: PVC

▶ Main performance:

Parameter	Model	7600 pump	7800 pump
Power supply		<input type="checkbox"/> AC120V ± 10% <input type="checkbox"/> AC220V ± 10% <input type="checkbox"/> AC230V ± 10% <input type="checkbox"/> 50Hz <input type="checkbox"/> 60Hz	
Input power		6.5VA	12VA
Output pressure		≥14kPa	≥20kPa
Flowrate		≥5L/min	≥14L/min
Dimension		200(L)x90(W)x9(H)cm	200(L)x90(W)x8(H)cm

Working system: continuous operation

Class II device, Type BF application part.

Normal operating atmosphere pressure: 86kPa~106kPa

## Using method and Cautions

### Air mattress laying

⚠ NOTE: Ensure the side with the mark "this side up" is on the upside( Air-jet style). The effect of remedying decubitus will be reduced when the mattress is laid on the wrong side.(Figure 4)

▶ The side with air intake should be placed at the patient's feet side when laying to reduce the influence of noise to patients.

⚠ NOTE: A cushion should be laying under the mattress when using with coir rope bed or steel cot to avoid the mattress being worn out.

### Using method

▶ A sheet or thin woolen blanket can be laid on the air mattress, but plastic cloth or rubber diapers( such as non-ventilated materials) are not allowed. Because non-ventilated materials will affect the air flowing. As a result, the treatment effectiveness will be greatly reduced.

▶ Connect the tube with the pump firmly and ensure that the tube is not folded. Please use the mattress with the specific pump made by yuyue medical to ensure safety air inflation for 24 hours uninterrupted.

### Anti-decubitus mattress connection

▶ Connect the entrance of air mattress with the exit of air pump by the pipe. Ensure that the pipe is not blocked when using.

### Power connection

▶ Plug in power and turn on the power switch. The air pump starts to work when the green lamp lights up.

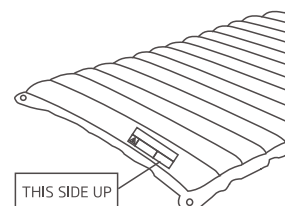


Figure 4

### Air pump adjuster

▶ The knob is used to adjust the hardness-softness of the mattress. Soften the air mattress with turning the knob to "MIN", and harden it with turning to "MAX". And harder brings better effect for preventing decubitus. In normal circumstances, the knob should be turned in the range of real line(Figure 5-1). In abnormal circumstances or have been used for a long-term, the knob can be turned in the range of imaginary line. (Figure 5-2)



Figure 5-2

### Normal Operating Conditions

Ambient temperature: +5°C~+40°C Relative humidity: 30%~80%

Atmosphere pressure: 86kPa~106kPa

### When the patient feels cold in winter

▶ A hot-water bottle can be put around the patient's feet, or an electric blanket can be laid under the air mattress, if patient feels cold in winter.

## Trouble shooting guide

Problem		Reason	Solution
No air can be pumped into the air mattress	The indicator lamp lights	Abnormal connection between air mattress and pump	Reconnect them rightly with the pipe
	The indicator lamp do not light	The pipe in the air pump falls off	Open the pump and fix the inside pipe
Little air can be pumped into the air mattress	The air mattress is too soft	The power has not been connected	Connect the power
		Fuse broken	Replace a new 1.5A fuse
	There is loud noise	The adjust knob stops on the "MIN".	Turn the knob right until to appropriate hardness
		The mattress slightly bursts or it's overused	Replace with a new one
There is loud noise	Air filter is blocked by dust	Pull out the filter and clean it	
	Fixed screws on the outer are loose	Screw the screws tightly	
There is loud noise	The air pump contacts with something tending to vibrate	Separate it from the pump	

⚠ NOTE:

- ▶ Please connect with the distributor or manufacturer when problems can't be removed.
- ▶ Turn off the power and pull out the plug before replacing the fuse.
- ⊘ Do not take the air pump apart by yourself.

## Maintenance

⚠ Note: Please cut off the power supply before moving, maintaining and repairing the product.

▶ Put the air pump in a dry and clean place. It can be hung on the bed by the steel hook, which is at the bottom of the pump. It also can be placed under the sickbed, but need to against damp and dust.

▶ Avoid overexposing the air mattress in the sun so as to slow down the aging of the air mattress.

▶ The air mattress should be cleaned in inflated condition (to prevent the detergent going into the inner chamber). The neutral detergent is appropriate. Please use the alcohol 75% for sterilization and dry before using it.

▶ Please clean the filter at the bottom of covering regularly as follows( usually 3 months, depending on the situation of usage) :

1. Unscrew the screw of the filter lid at the bottom of the air pump, and take out the filter disc and the filter together.
2. Clean the filter with clean water. It can also be soaked in running water.
3. Fix the filter to the filter base after drying, cover the lid and then fix it firmly.

▶ Transportation and storage conditions:

⊙ Enviroment Temperature: - 40°C ~+55°C , Relative Humidity: ≤ 85%,  
Note: It is required to store the aspirator in the well-ventilated room without corrosive gas, and avoid any violent shock while handling.

⚠ NOTE: If there is air leakage of the strip style, please check the both end of two sides for any loose.

⊘ Be kept far away from sharp objects.

⊙ Keep clean, clean the surface with neutral detergent.

⚠ NOTE: Be kept far away from acid and alkali.

## Electric systematic diagram

